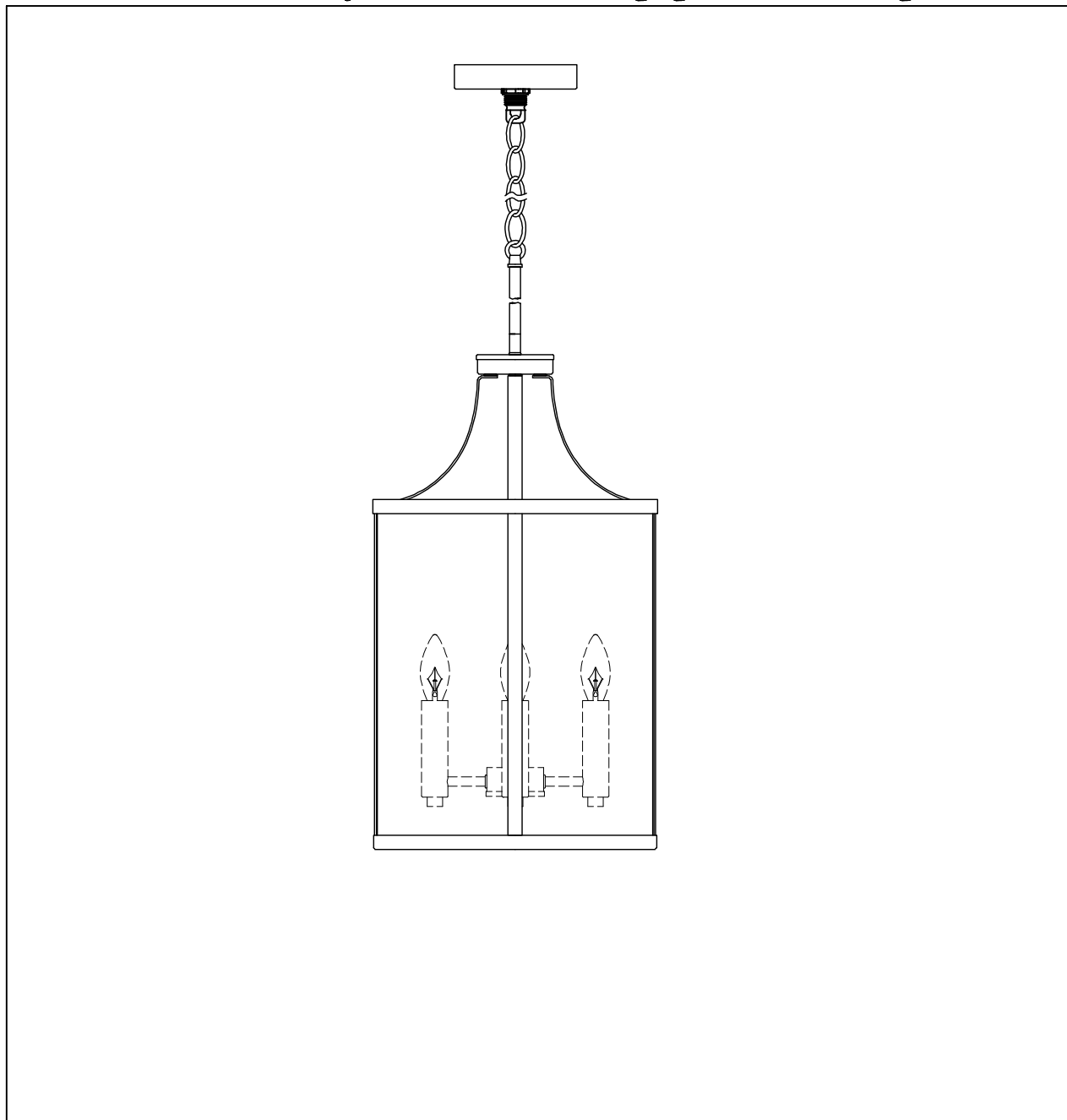




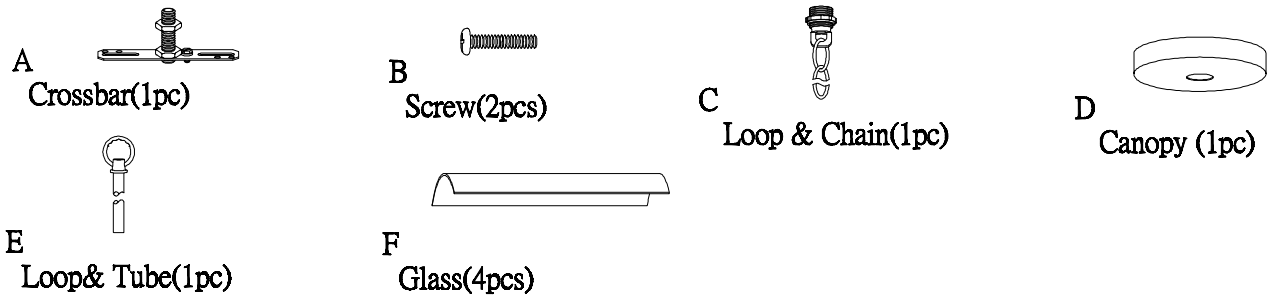
PRODUCT NAME: Sentinel 4-Light Pendant
ITEM NUMBER: 25253

Please consult your electrician for hanging fixture and wiring.

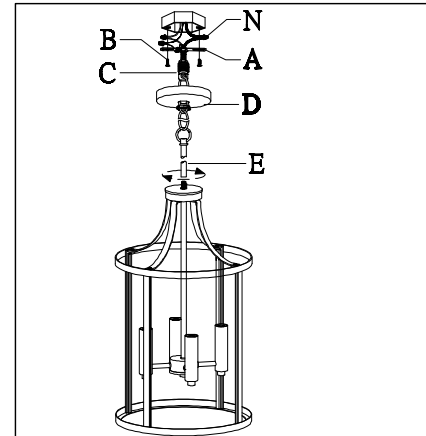
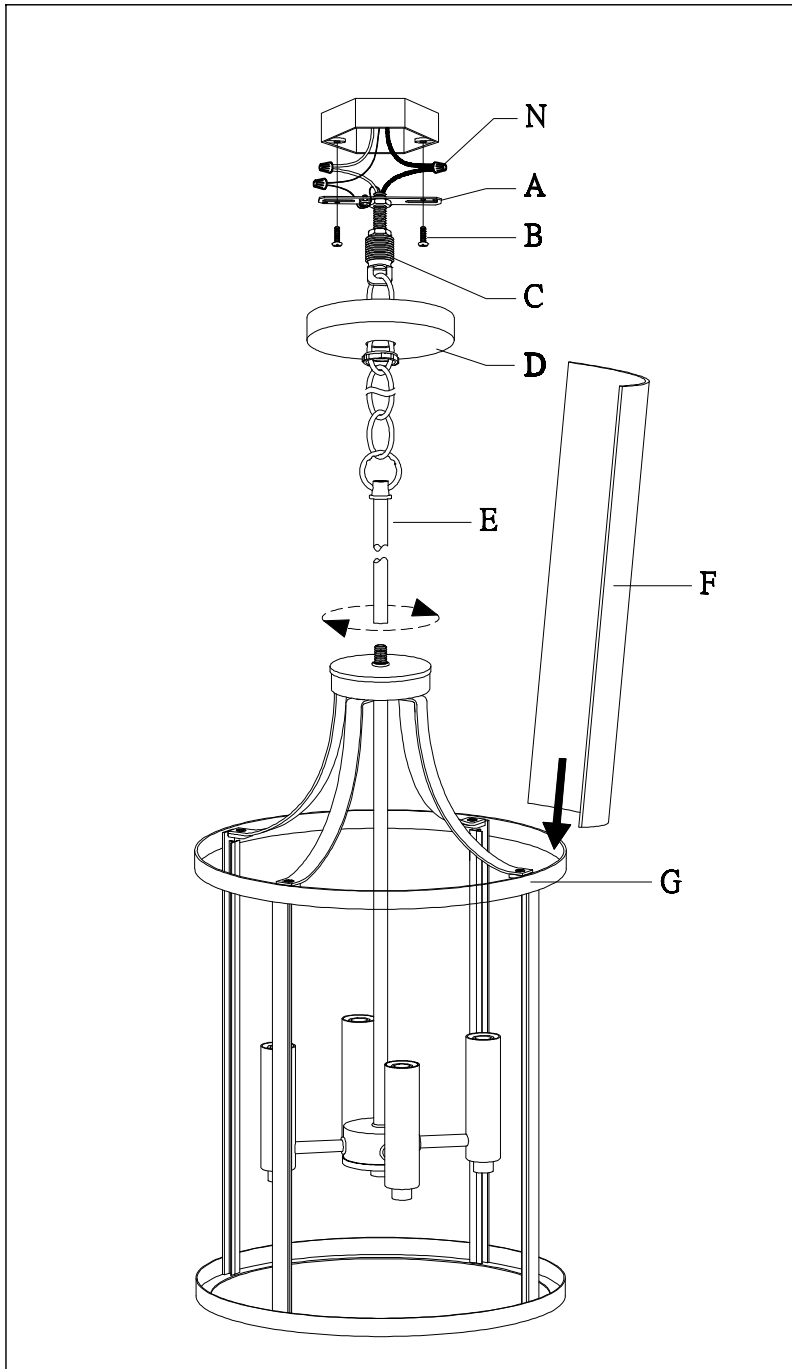


Bulb(not included): 4-60 Watt Candelabra Base Bulbs

IMPORTANT: Turn off the power at the main fuse or circuit breaker box before starting installation

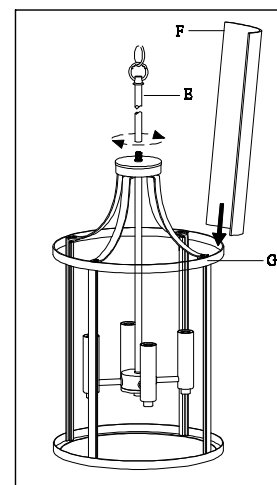


Locate all hardware & components before discarding packaging



Step1.

Remove crossbar from fixture and install to electrical box. Attach appropriate amount of chain to loop to achieve desired mounting height. Thread wire through every 3rd loop of chain. Remove ring from loop and slide down chain. Place canopy onto chain and let slide to top of fixture. Install nipple and cross bar into top of chain loop. Wire fixture to wires in outlet box. Copper wire is for Ground. Pull canopy through screw ring up chain to ceiling and tighten securely.



2.)

Step2. Thread the loop&tube(E) to the nipple, Insert the glass(F) into the metal frame(G)

Cleaning & Care:

Clean with soft cloth and a mild detergent.
Do not use abrasive cleaner.