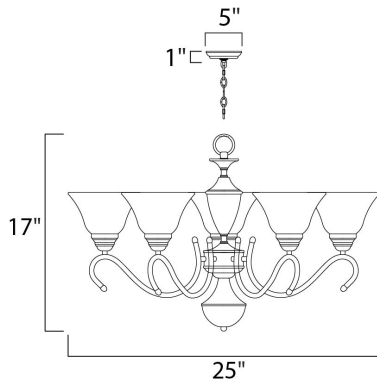


**PRODUCT DESCRIPTION**

Maxim Lighting's commitment to both the residential lighting and the home building industries will assure you a product line focused on your basic lighting needs. With the Newport collection you will find quality lighting that is well designed, well priced and readily available.

**MEASUREMENTS**

DIMENSION : 25" L x 25" W x 17" H
HANGING WEIGHT : 9.77 lb

LAMPING

INPUT VOLTAGE : 120V
LUMENS : 0 Rated
BULB : 5 x 60W Incandescent E26 Medium , 300W Total
BULB INCLUDED : (Not Included)
DIMMABLE : Yes

FINISHES OPTION

 Satin Nickel

GLASS

Marble MR

MATERIAL

Steel

RATINGS

cETLus
Dry Location

**ADDITIONAL**

ADJUSTABLE
RATED LIFE 2500 Hours
OPERATING TEMPERATURE:
-20°C (-4°F), 40°C (104°F)

Always consult a qualified electrician before installing any lighting product.

MAXIM[®]
L I G H T I N G

WESTERN DISTRIBUTION CENTER (HEADQUARTER)
253 NORTH VINELAND AVE | CITY OF INDUSTRY, CA 91746

EASTERN DISTRIBUTION CENTER
4200 SHIRLEY DR. | ATLANTA, GA 30336

P. 626.956.4200 | F. 626.956.4225 | maximlighting.com