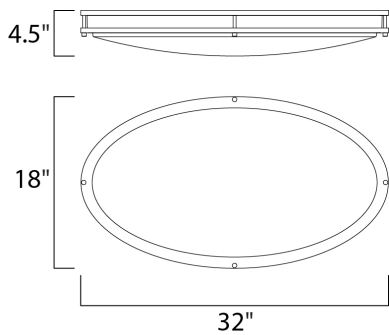




**PRODUCT DESCRIPTION**

Commercial grade energy efficient lighting featuring linear frames of metal finished in Satin Nickel diffused by an etched opal acrylic creating an updated energy efficient classic.



**MEASUREMENTS**

DIMENSION : 32" L x 18" W x 4.5" H  
 HANGING WEIGHT : 7.76 lb

**LAMPING**

INPUT VOLTAGE : 110-277V  
 LUMENS : 2,500 Rated  
 BULB : 1 x 35W LED PCB Integrated , 35W Total  
 BULB INCLUDED : (Integrated)  
 DIMMABLE : No  
 CRI : 90+ CRI  
 COLOR\_TEMP : 3000K

**FINISHES OPTION**

 Satin Nickel

**GLASS**

White WT

**MATERIAL**

Steel, Opal Acrylic

**RATINGS**

cETLus  
 Damp Location



**ADDITIONAL**

OPERATING TEMPERATURE:  
 -20°C (-4°F), 40°C (104°F)

Always consult a qualified electrician before installing any lighting product.



**WESTERN DISTRIBUTION CENTER (HEADQUARTER)**  
 253 NORTH VINELAND AVE | CITY OF INDUSTRY, CA 91746

**EASTERN DISTRIBUTION CENTER**  
 4200 SHIRLEY DR. | ATLANTA, GA 30336

P. 626.956.4200 | F. 626.956.4225 | maximlighting.com