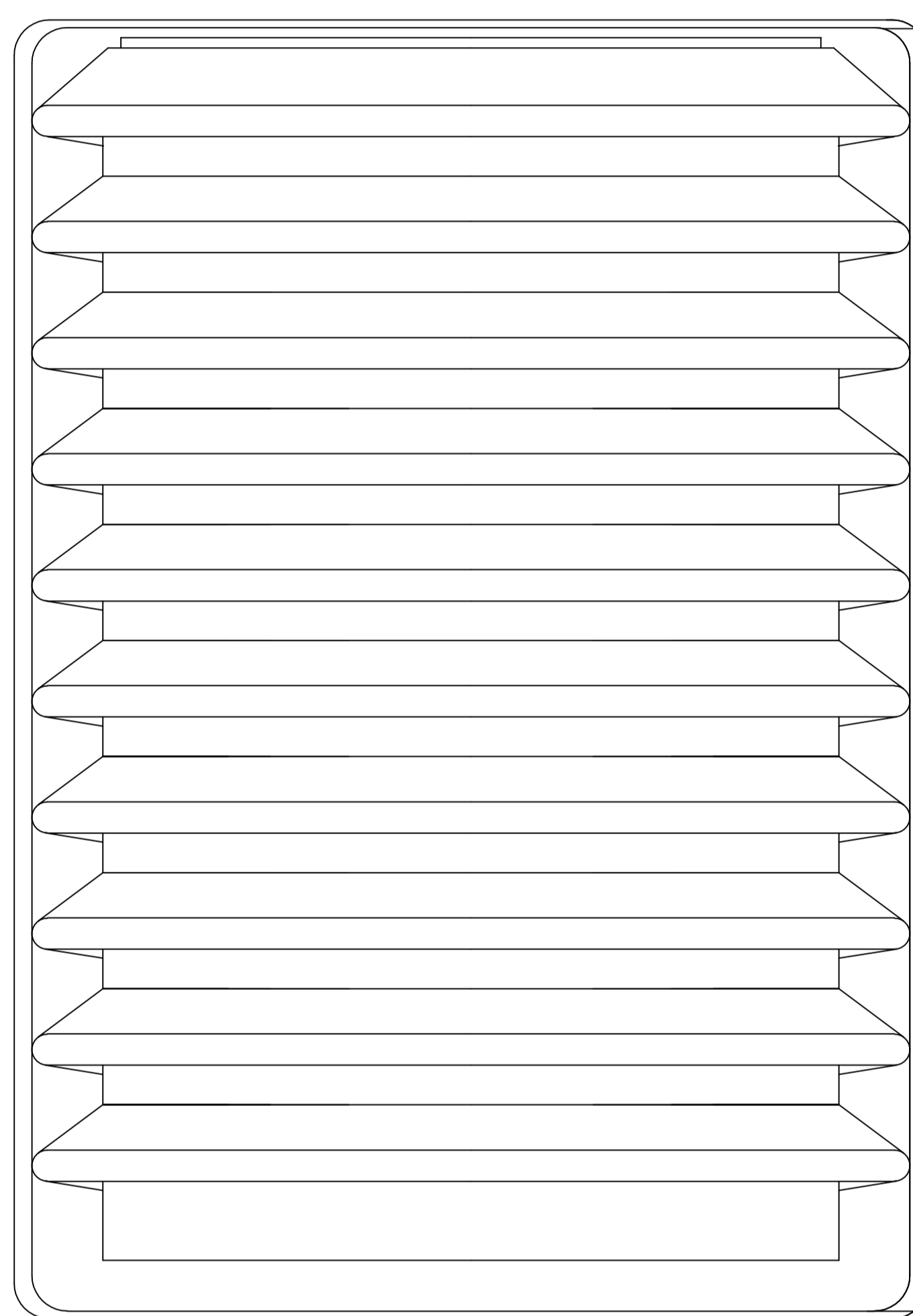




PRODUCT NAME: Zenith
ITEM NUMBER: 56222WTABZ

Please consult your electrician for hanging fixture and wiring.



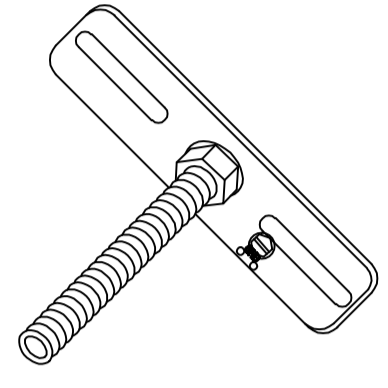
To prevent water intrusion, caulk around back-plate where fixture meets the wall using outdoor silicone sealant. Leave a small gap at the bottom to allow moisture to exit.

Bulb(included): 1×12W E26 LED

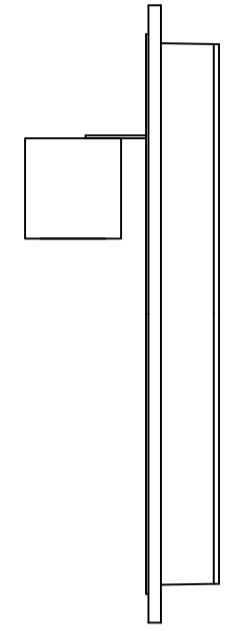
MADE IN CHINA

PRODUCT NAME: Zenith
ITEM NUMBER: 56222WTABZ

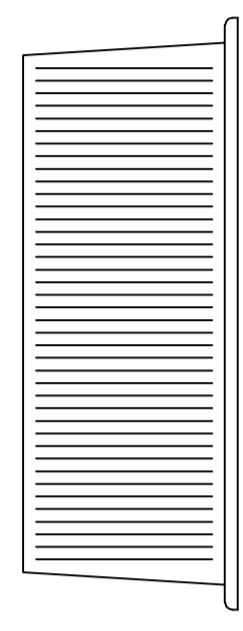
IMPORTANT: Turn off the power at the main fuse or circuit breaker box before starting installation.



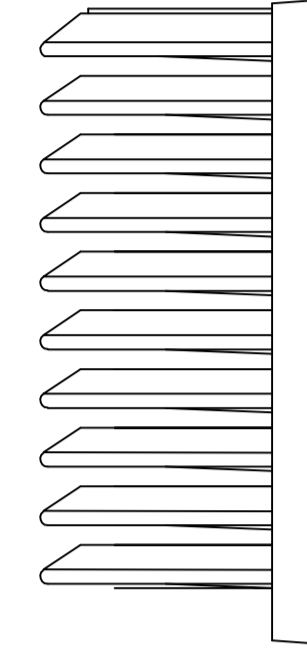
Bracket (A)



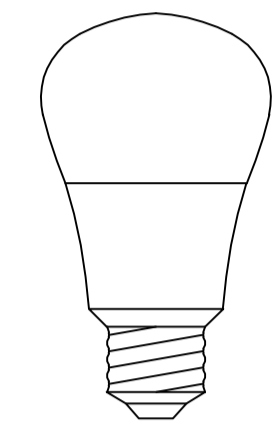
Fixture (B)



Lampshade (C)



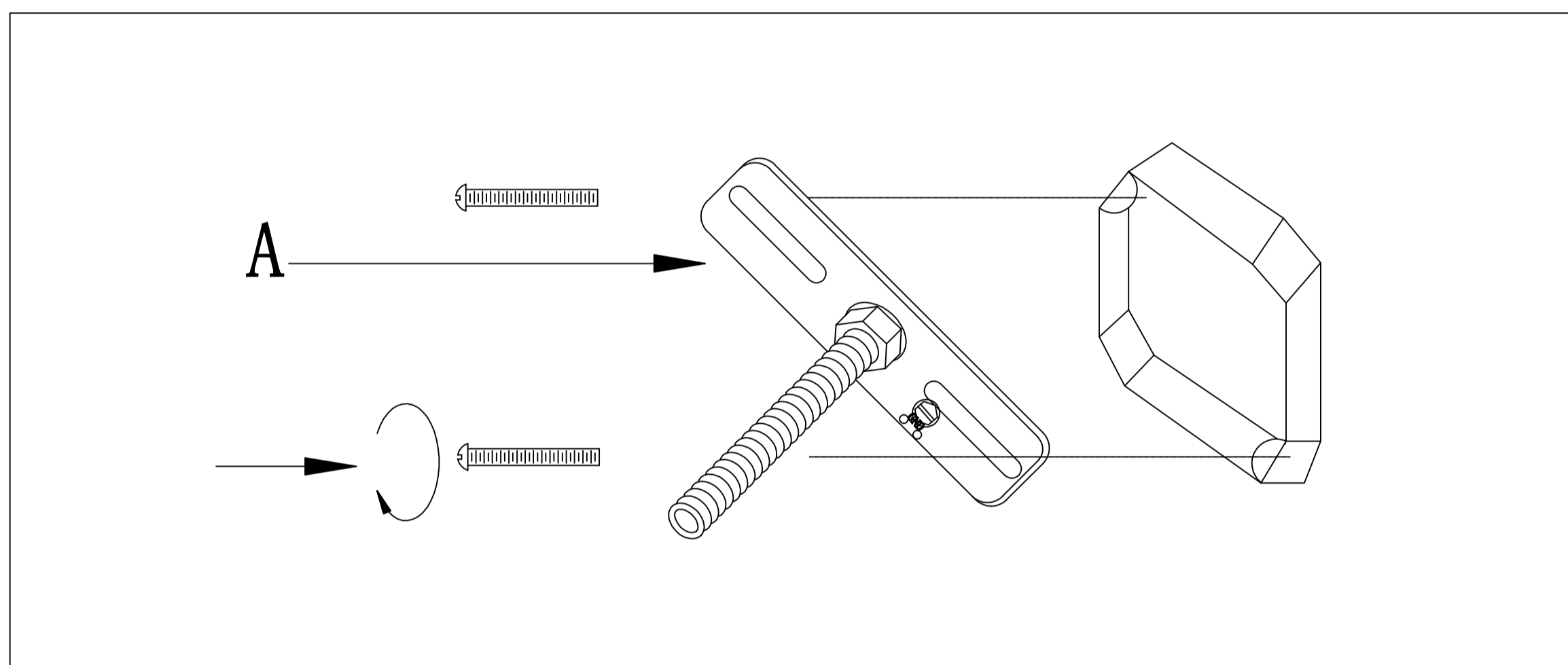
Cage (D)



**E26
LED Bulb (E)**

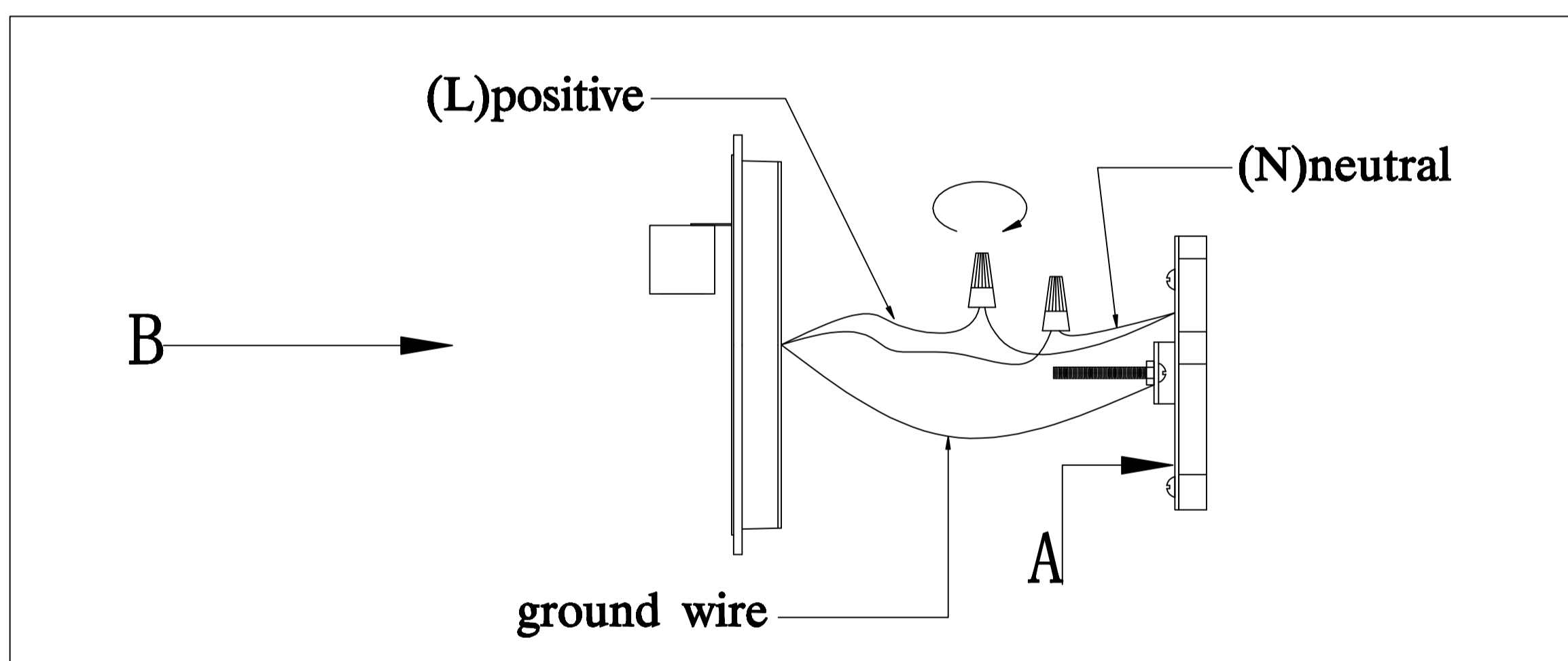
Locate all hardware & components before discarding packaging

1.)



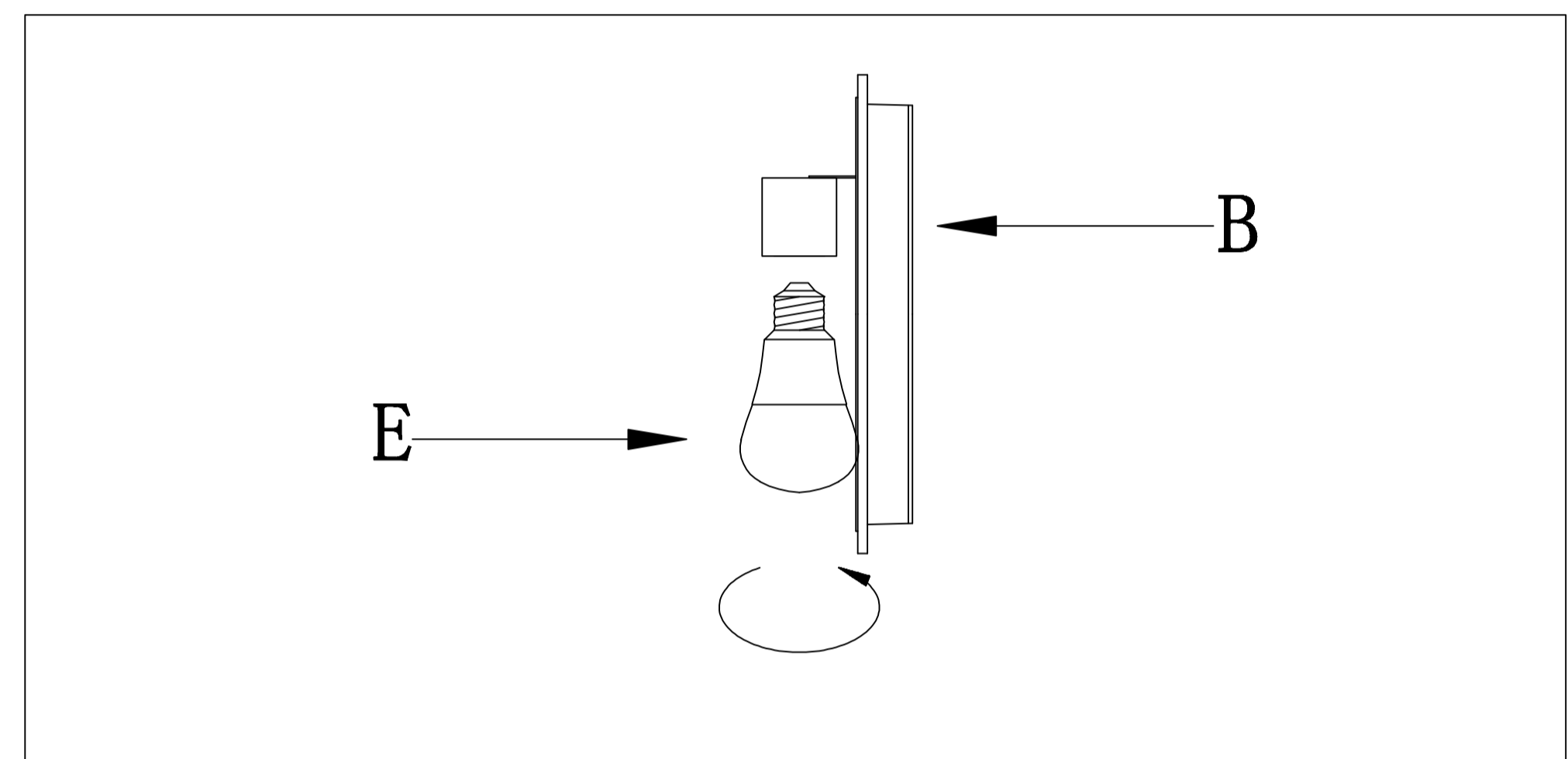
Step.1: Remove mounting bracket from fixture(B) and install to electrical box. then wire fixture to wires in outlet box. Copper wire is for Ground.

2.)



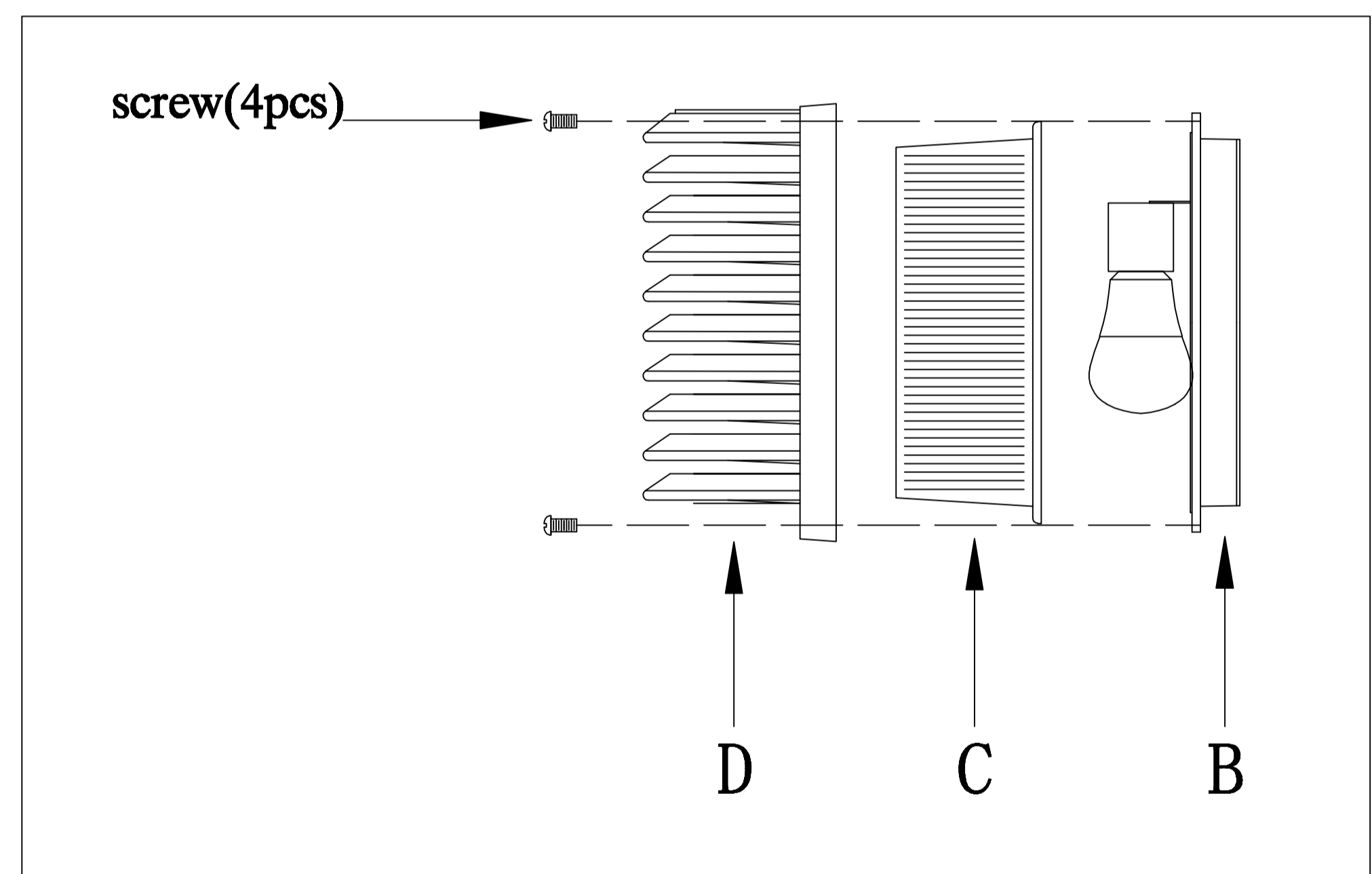
Step.2: Attach back plate to mounting bracket and tighten ball nuts so fixture meets wall. Caulk fixture where back plate meets the wall with silicone sealant.

3.)



Step.3:Install E26 LED bulb(E).

4.)



Step.4: Install the lampshade (C) and the cage (D) to fixture(B) using screws.

Cleaning & Care:

Clean with soft cloth and a mild detergent.
Do not use abrasive cleaner.

MADE IN CHINA