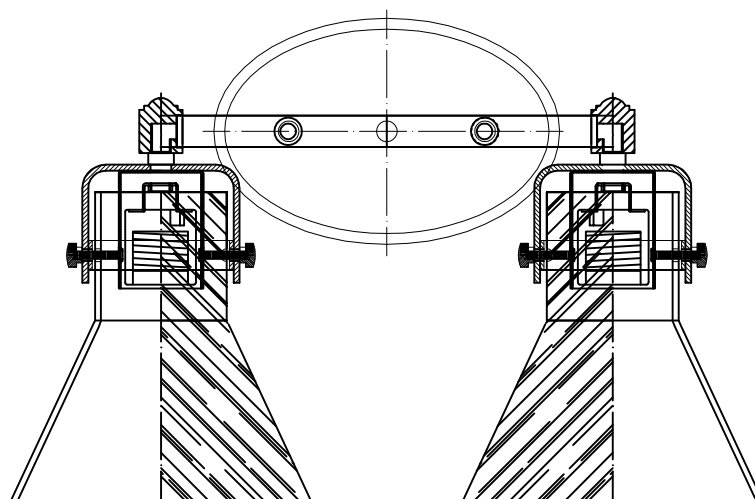




PRODUCT NAME: Seafarer 2LT Wall Sconce
ITEM NUMBER: 26112

Please consult your electrician for Hang fixture and wiring.

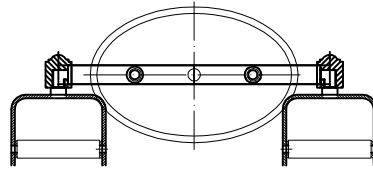


Bulb(not included) :2*MB 60W

IMPORTANT: Turn off power at the main fuse or circuit breaker box before starting installation



(A) Bracket

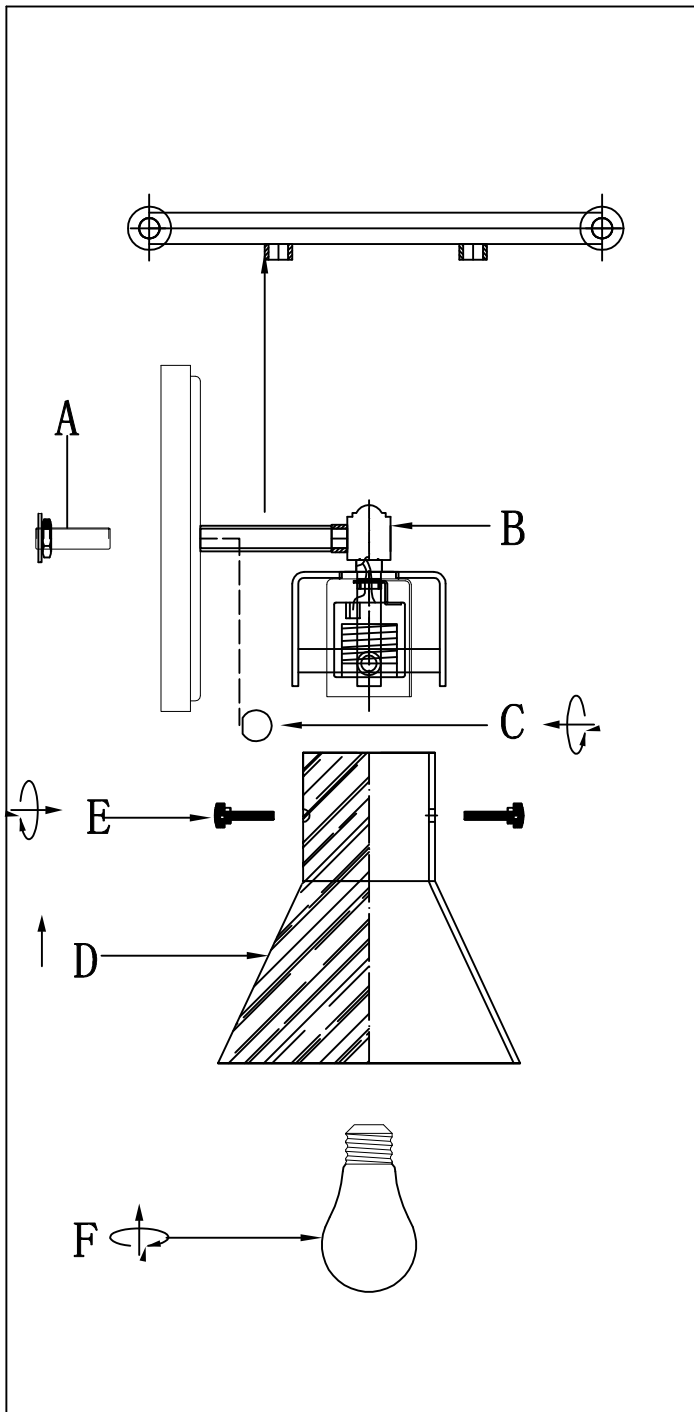


(B) Body



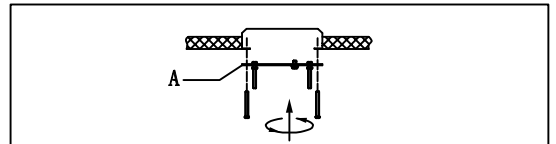
(C) Ball nut

Locate all hardware & components before discarding packaging



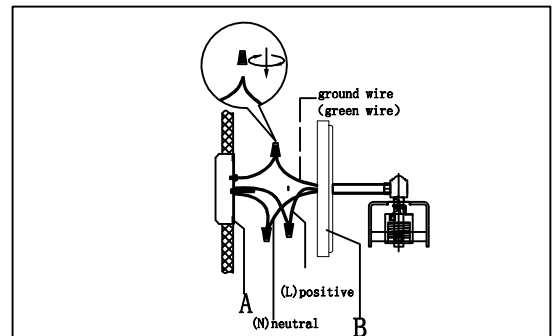
Fixture can only be installed down.

1.)



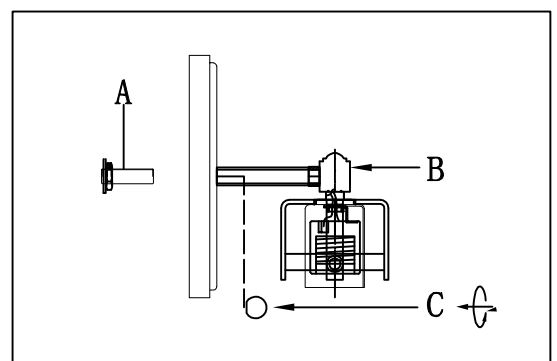
Remove mounting bracket(A) from fixture and install to electrical box.

2.)



Step. 2: Wire fixture to wires in outlet box.
Copper/Green wire is for Ground.

3.)

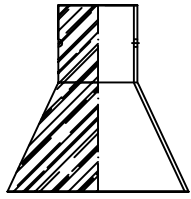


Step. 3: Install fixture to bracket(A) and tighten ball nuts (C) on the backplate to secure.

Cleaning & Care:

Clean with soft cloth and a mild detergent.
Do not use abrasive cleaner.

IMPORTANT: Turn off power at the main fuse or circuit breaker box before starting installation



(D) Glass shade

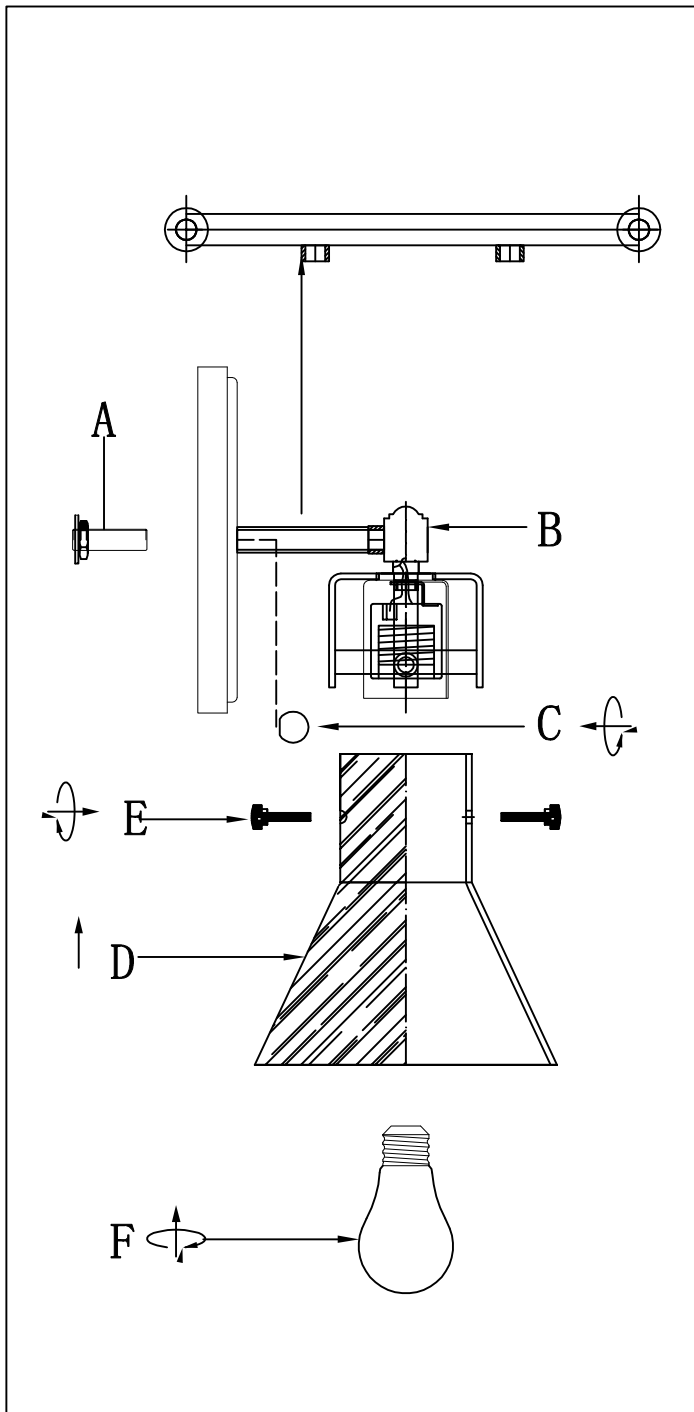


(E) Ball nut

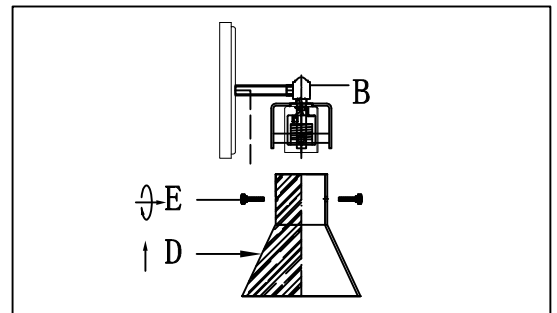


(F) Bulb

Locate all hardware & components before discarding packaging

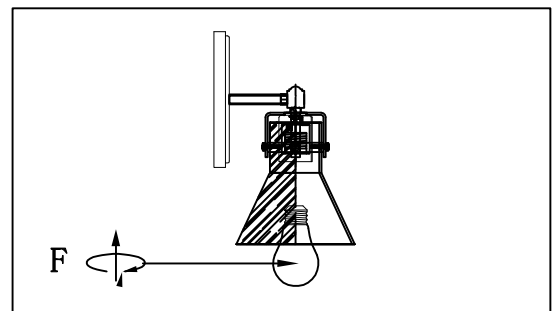


4.)



Step. 4: Place the Glass shade on the lamp body (C) and lock screw (E).

5.)



Step. 5: Install the bulb

Fixture can only be installed down.

Cleaning & Care:

Clean with soft cloth and a mild detergent.
Do not use abrasive cleaner.