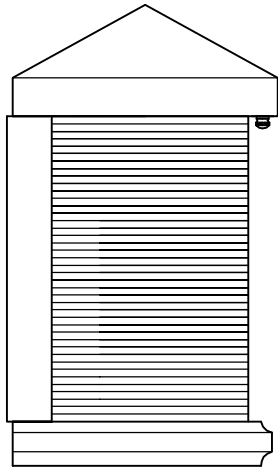


PRODUCT NAME: Triumph LED Outdoor Wall Lantern
ITEM NUMBER: 55733

Please consult your electrician for hanging fixture and wiring.



To prevent water intrusion, caulk around post cup where fixture meets the wall using outdoor silicone sealant.

12W LED

IMPORTANT: Turn off the power at the main fuse or circuit breaker box before starting installation

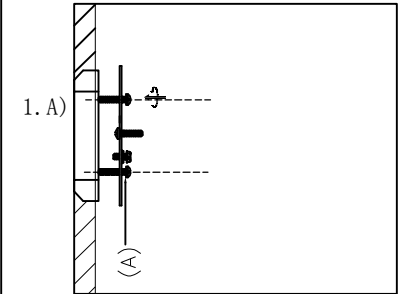
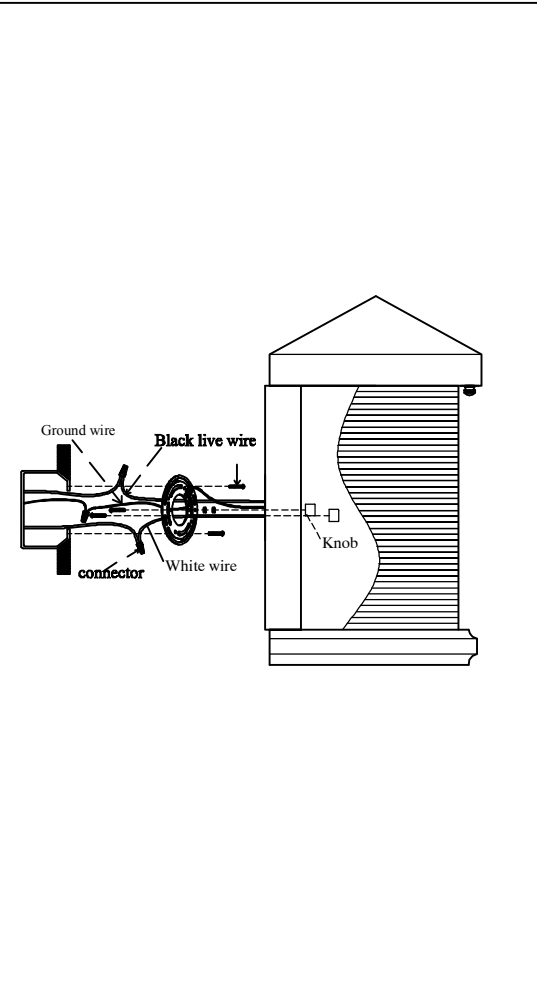


Bracket (A)



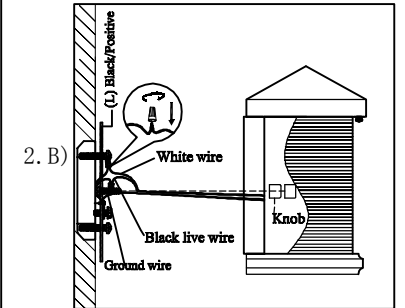
Integral lamp holder (B)

Locate all hardware & components before discarding packing



1. A)

Step.1 Remove mounting bracket from fixture and install to electrical box.



2. B)

Step.2 Wire fixture to wires in outlet box. Black wire is positive, white is neutral, bare wire is ground.

Step.3 Install fixture to mounting bracket using finial knobs.

Cleaning & Care:

Clean with soft cloth and a mild detergent.
Do not use abrasive cleaner.