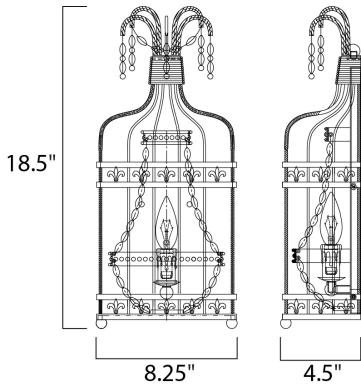




**PRODUCT DESCRIPTION**

Elegant chandeliers draped in strands of lustrous pearl like beads are housed in French provincial cages that are finished in Antique Terra for a realistic antique appearance. Also available are some of the chandeliers without the cage. The unique pieces are sure to be the focal point of the room.



**MEASUREMENTS**

DIMENSION : 8.25" W x 18.5" H x 4.5" Ext  
 HANGING WEIGHT : 2.88 lb

**LAMPING**

INPUT VOLTAGE : 120V  
 LUMENS : 0 Rated  
 BULB : 1 x 60W Incandescent E12 Candelabra , 60W Total  
 BULB INCLUDED : (Not Included)  
 DIMMABLE : Yes

**FINISHES OPTION**

 Antique Terra

**MATERIAL**

Steel, Imitation Pearl

**RATINGS**

cETLus  
 Dry Location



**ADDITIONAL**

INSTALL UP/DOWN: Up  
 OPERATING TEMPERATURE:  
 -20°C (-4°F), 40°C (104°F)

Always consult a qualified electrician before installing any lighting product.



**WESTERN DISTRIBUTION CENTER (HEADQUARTER)**  
 253 NORTH VINELAND AVE | CITY OF INDUSTRY, CA 91746

**EASTERN DISTRIBUTION CENTER**  
 4200 SHIRLEY DR. | ATLANTA, GA 30336

P. 626.956.4200 | F. 626.956.4225 | maximlighting.com