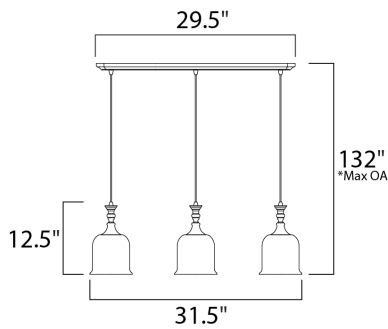




**PRODUCT DESCRIPTION**

Traditional fonts of Polished Nickel support Clear glass shades reminiscent of Colonial times. This ageless design has upscale appeal at an attractive price.



\*max overall height

**MEASUREMENTS**

- DIMENSION : 31.5" L x 6.25" W x 10.75" H
- MAX OAH : 132" OAH
- CANOPY : 4.53" W x 0.98" H x 29.92" L
- HANGING WEIGHT : 8.89 lb

**LAMPING**

- INPUT VOLTAGE : 120V
- BULB : 3 x 60W Incandescent E26 Medium , 180W Total
- BULB INCLUDED : (Not Included)
- DIMMABLE : Yes

**FINISHES OPTION**



**GLASS**

Clear CL

**MATERIAL**

Steel, Glass

**RATINGS**

cETLus  
Dry Location



**ADDITIONAL**

SLOPE: 120  
OPERATING TEMPERATURE:  
-20°C (-4°F), 40°C (104°F)

Always consult a qualified electrician before installing any lighting product.



**WESTERN DISTRIBUTION CENTER (HEADQUARTER)**  
253 NORTH VINELAND AVE | CITY OF INDUSTRY, CA 91746

**EASTERN DISTRIBUTION CENTER**  
4200 SHIRLEY DR. | ATLANTA, GA 30336

P. 626.956.4200 | F. 626.956.4225 | maximlighting.com