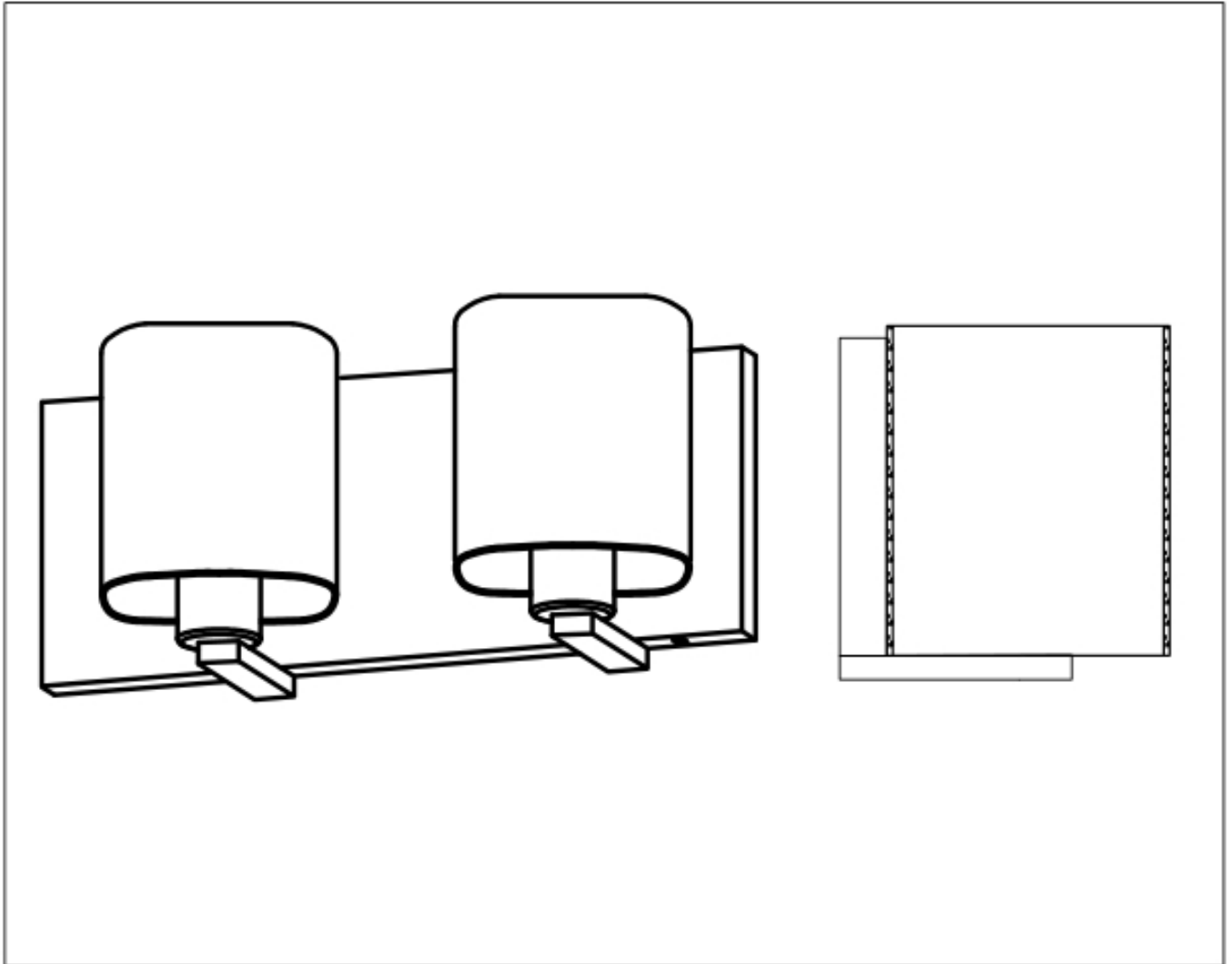




PRODUCT NAME: WRAP 2LT Wall Sconce
ITEM NUMBER:11252SWSN/11252SWPC

Please consult your electrician for hanging fixture and wiring.



Bulb(not included): 2*MB 60W

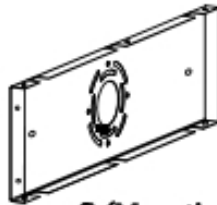
IMPORTANT: Turn off the power at the main fuse or circuit breaker box before starting installation



A (Wooden screws + plastic pugs)



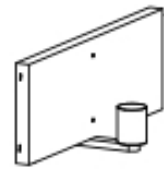
B (Screw)



C (Mounting bracket)

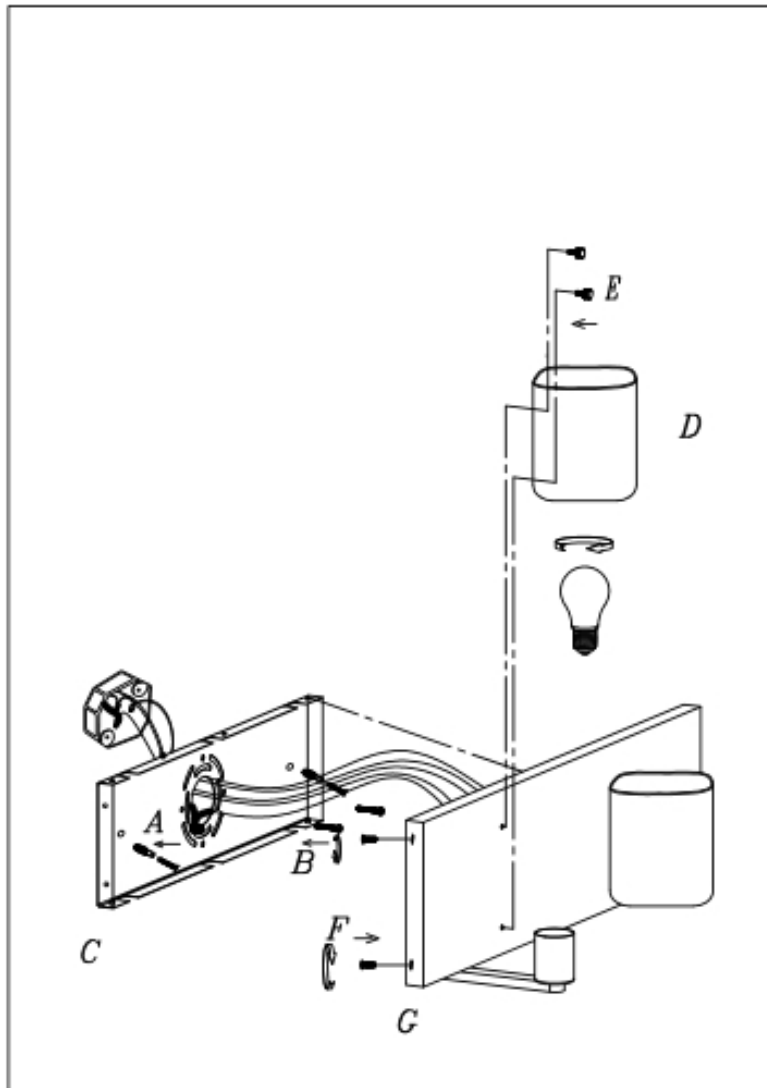


F (Screw)



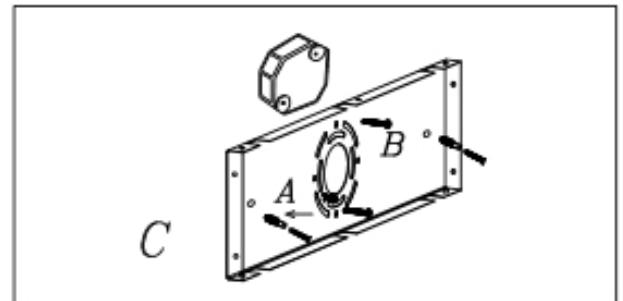
G (Fixture body)

Locate all hardware & components before discarding packaging

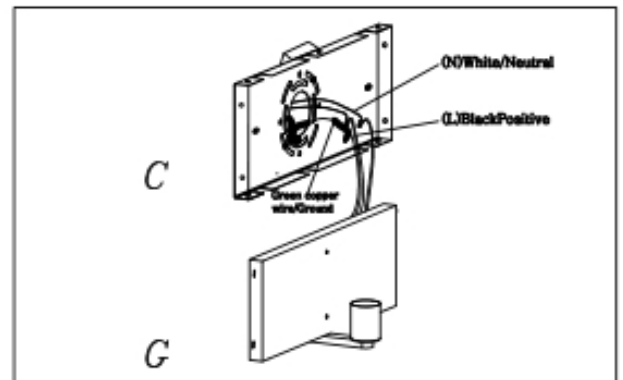


Cleaning & Care:

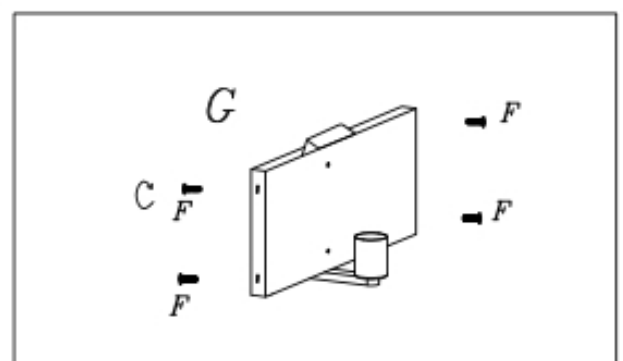
Clean with soft cloth and a mild detergent.
Do not use abrasive cleaner.



Step.1:Fasten the mounting bracket(C)onto the outlet box using two outlet box screws.



Step.2:Wire fixture to wires in outlet box.Freen copper wire is for ground.And carefully position all wires inside the outlet box.



Step.3:Place the fixture body(G)against mounting bracket,Align the two holes of the mounting bracket and fixture body,then tighten the screws(f).

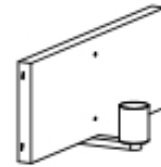
IMPORTANT: Turn off the power at the main fuse or circuit breaker box before starting installation



D (Glass)

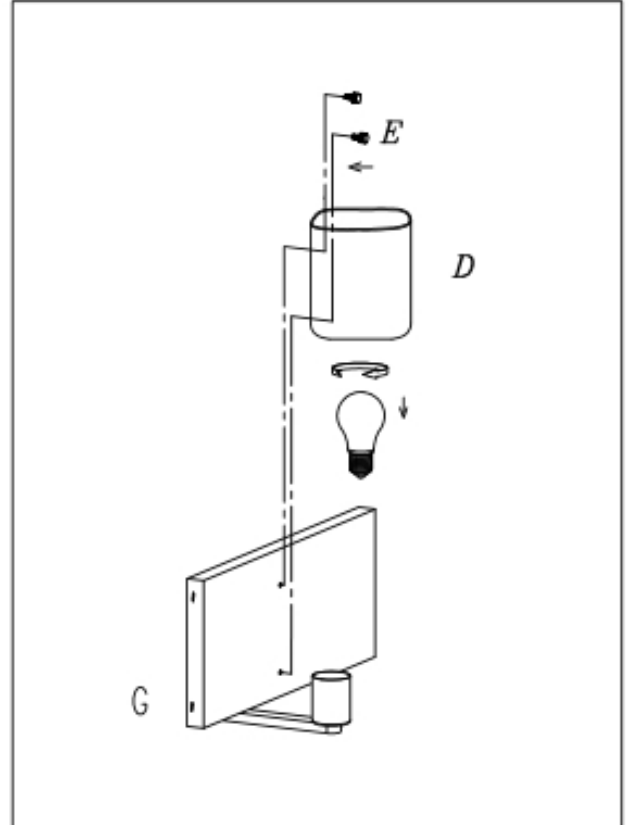
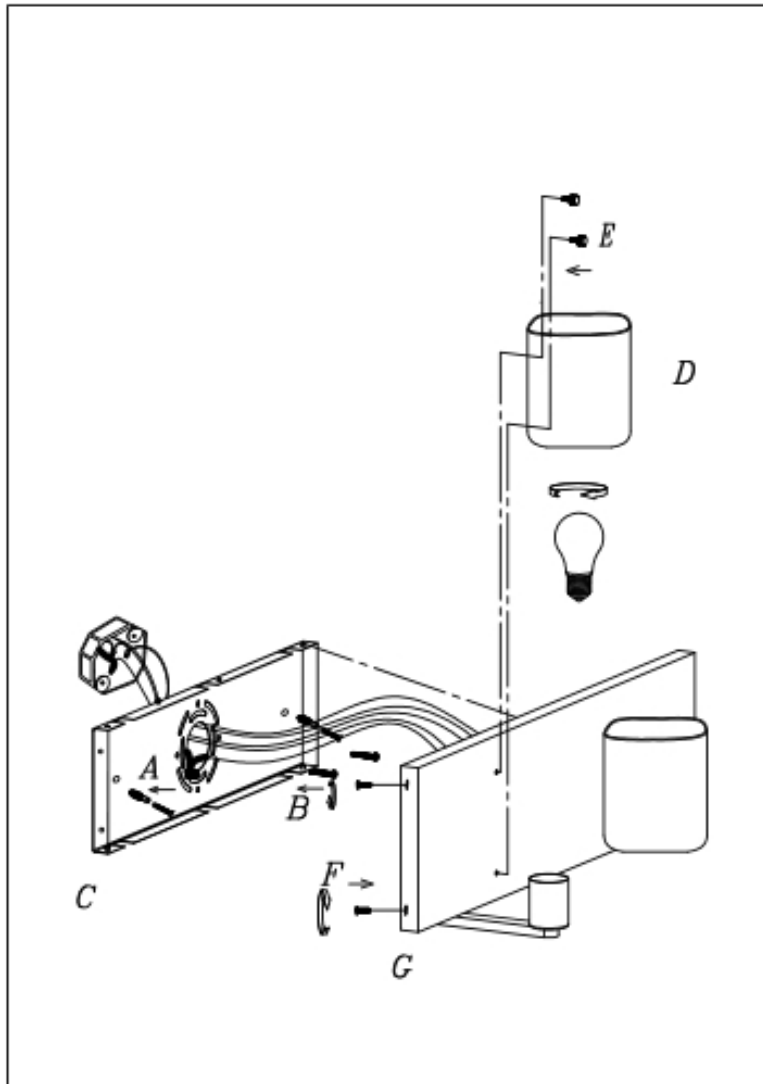


E (Screw)



G (Fixture body)

Locate all hardware & components before discarding packaging



Strp.4:Align the glass with the holes in the backplate and secure with ball nuts provided.

Cleaning & Care:

Clean with soft cloth and a mild detergent.
Do not use abrasive cleaner.