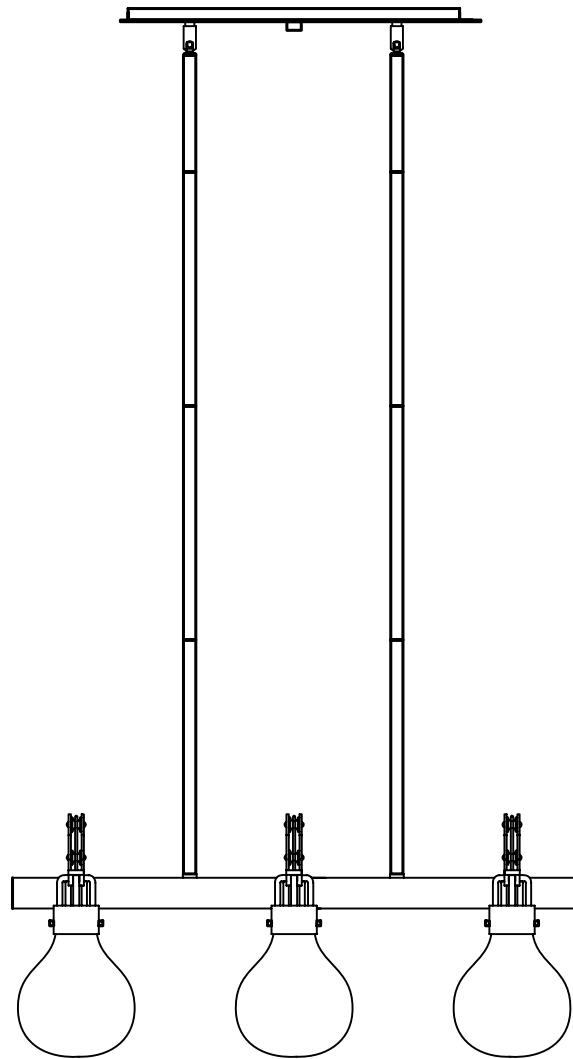




PRODUCT NAME : Kinetic LED 6-Light Linear Pendant  
ITEM NUMBER: 39696CLDSN

Please consult your electrician for hanging fixture and wiring.



The fixture is designed to dim with a standard Triac forward phase dimmer. Dimming levels will vary by dimmer.

Below is a list of recommended dimmers:

Voici une liste de variateur recommandé :

Lutron MACL-153M

Lutron DVL-153P

Lutron SCL-153P

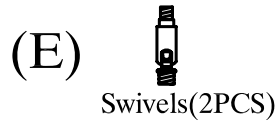
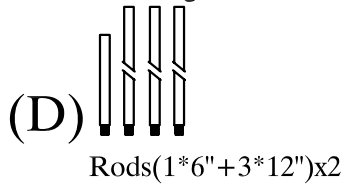
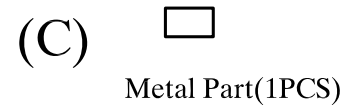
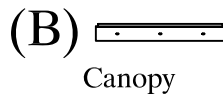
Leviton IPL06-10Z

Leviton 6674-POW

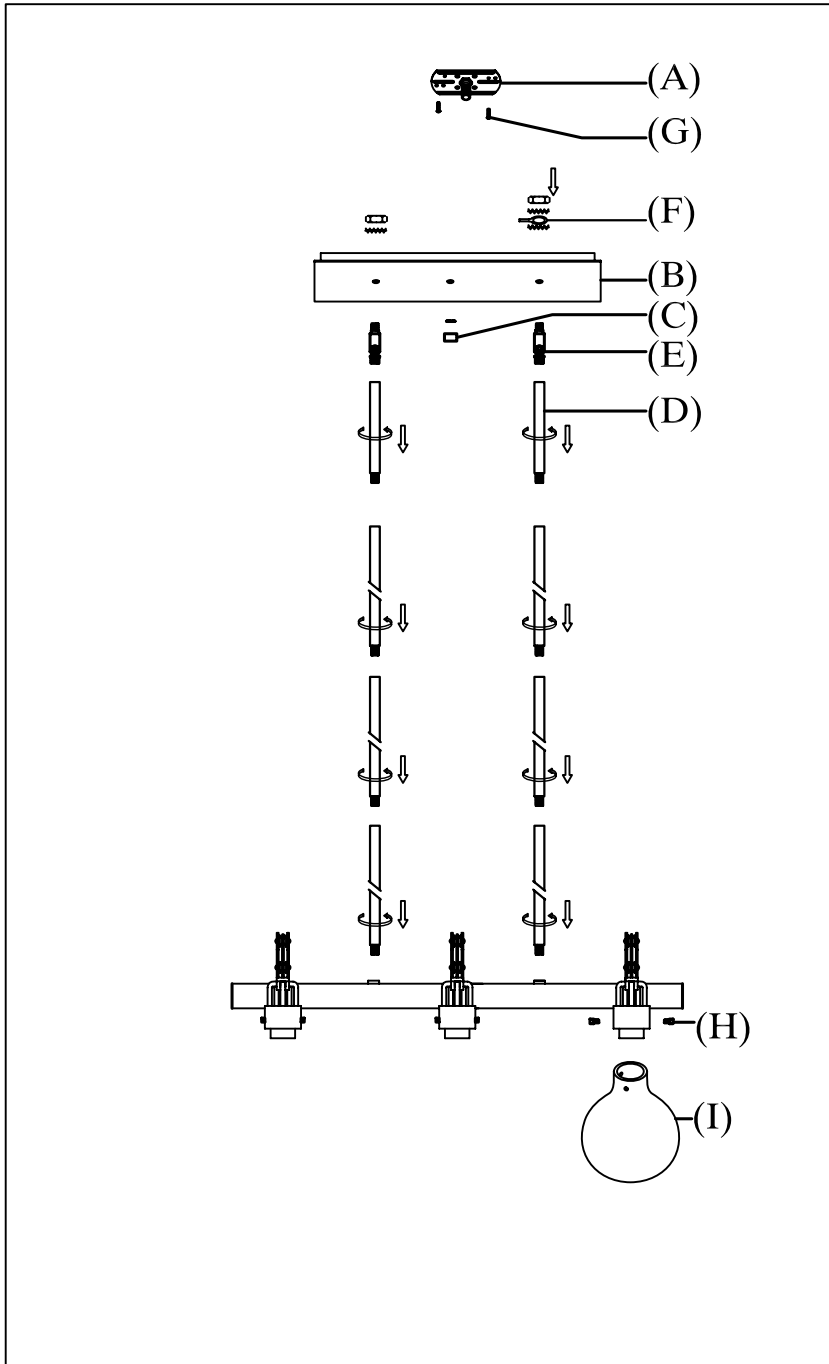
Due to inrush current wattage should not exceed 150 watts of product for a 600 watt dimmer.

**Bulb(included) 6-PCB-6W**

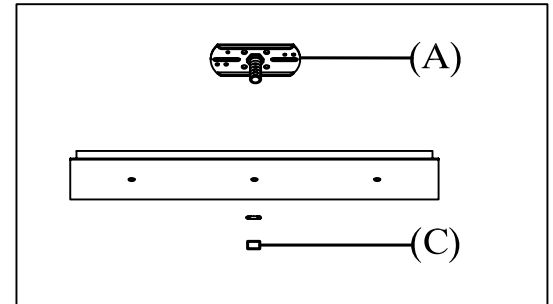
**IMPORTANT:** Turn off the power at the main fuse or circuit breaker box before starting installation



Locate all hardware & components before discarding packaging

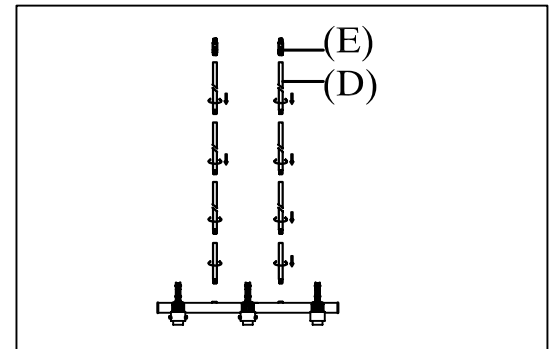


1.)



step1: Remove mounting bracket from canopy.


2.)

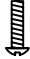


step2: Run wire through stems and combine stem lengths to meet desired mounting height.

**Cleaning & Care:**  
Clean with soft cloth and a mild detergent.  
Do not use abrasive cleaner.

**IMPORTANT:** Turn off the power at the main fuse or circuit breaker box before starting installation

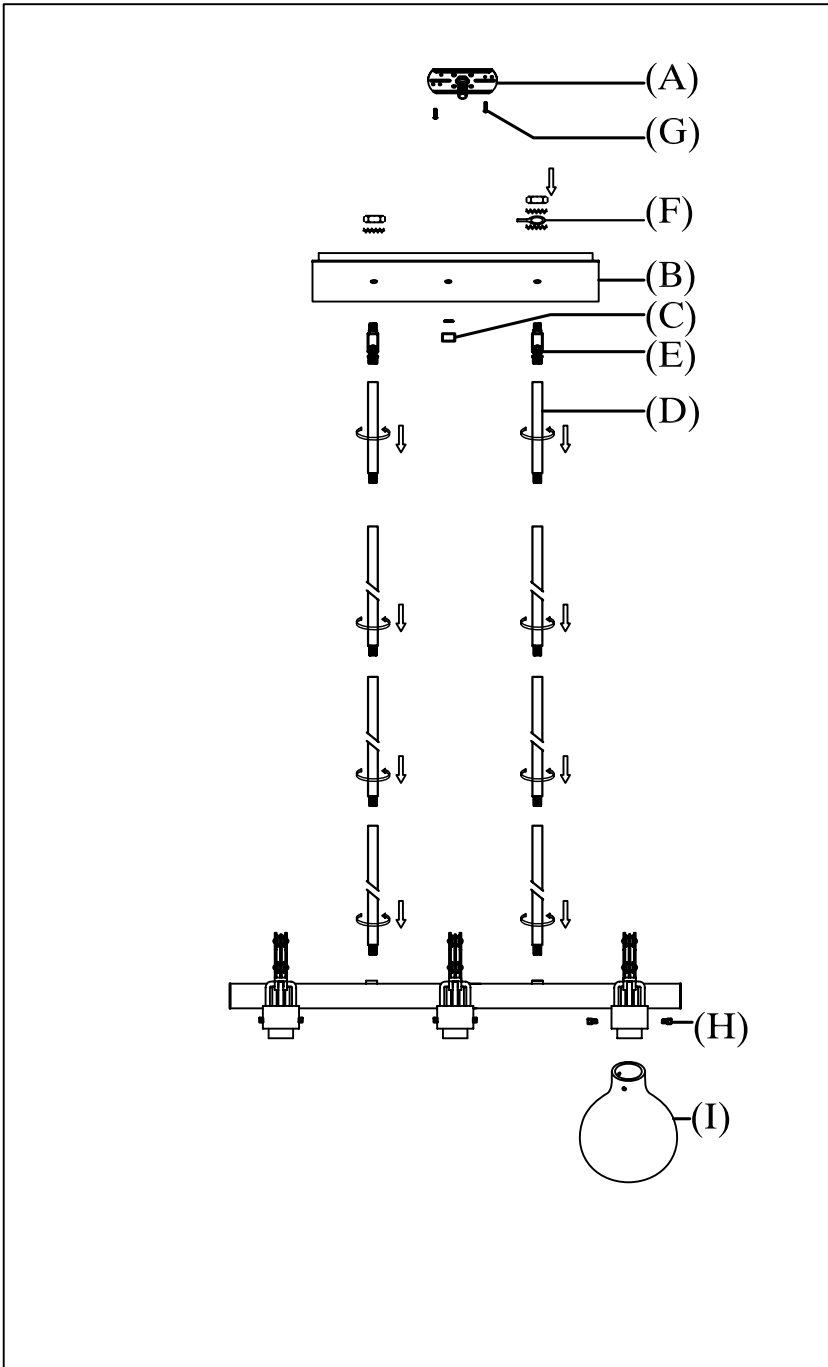
(F)   
Ground Wire

(G)   
Canopy (2PCS)

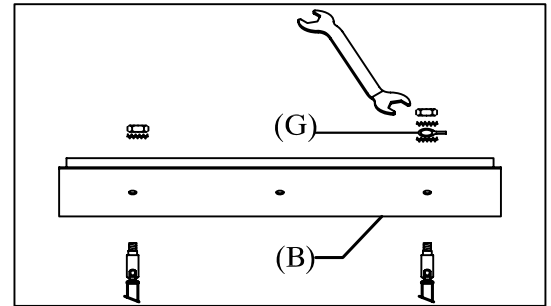
(H)   
Anchor (18PCS)

(I)   
Glass Shade (6PCS)

Locate all hardware & components before discarding packaging

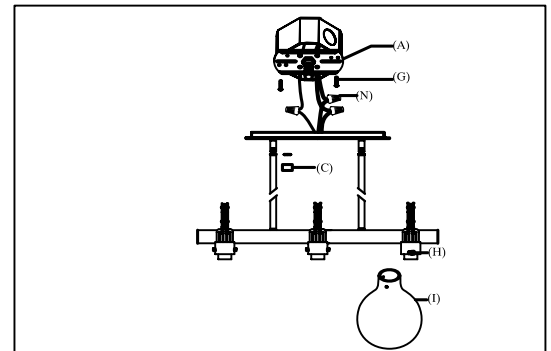


1.)



step3:Secure the rod assembly to the set nipple of the canopy as shown in diagram.

2.)



step4:Install fixture to bracket and tighten ball nuts at the ends of the canopy to secure.

**Cleaning & Care:**  
Clean with soft cloth and a mild detergent.  
Do not use abrasive cleaner.