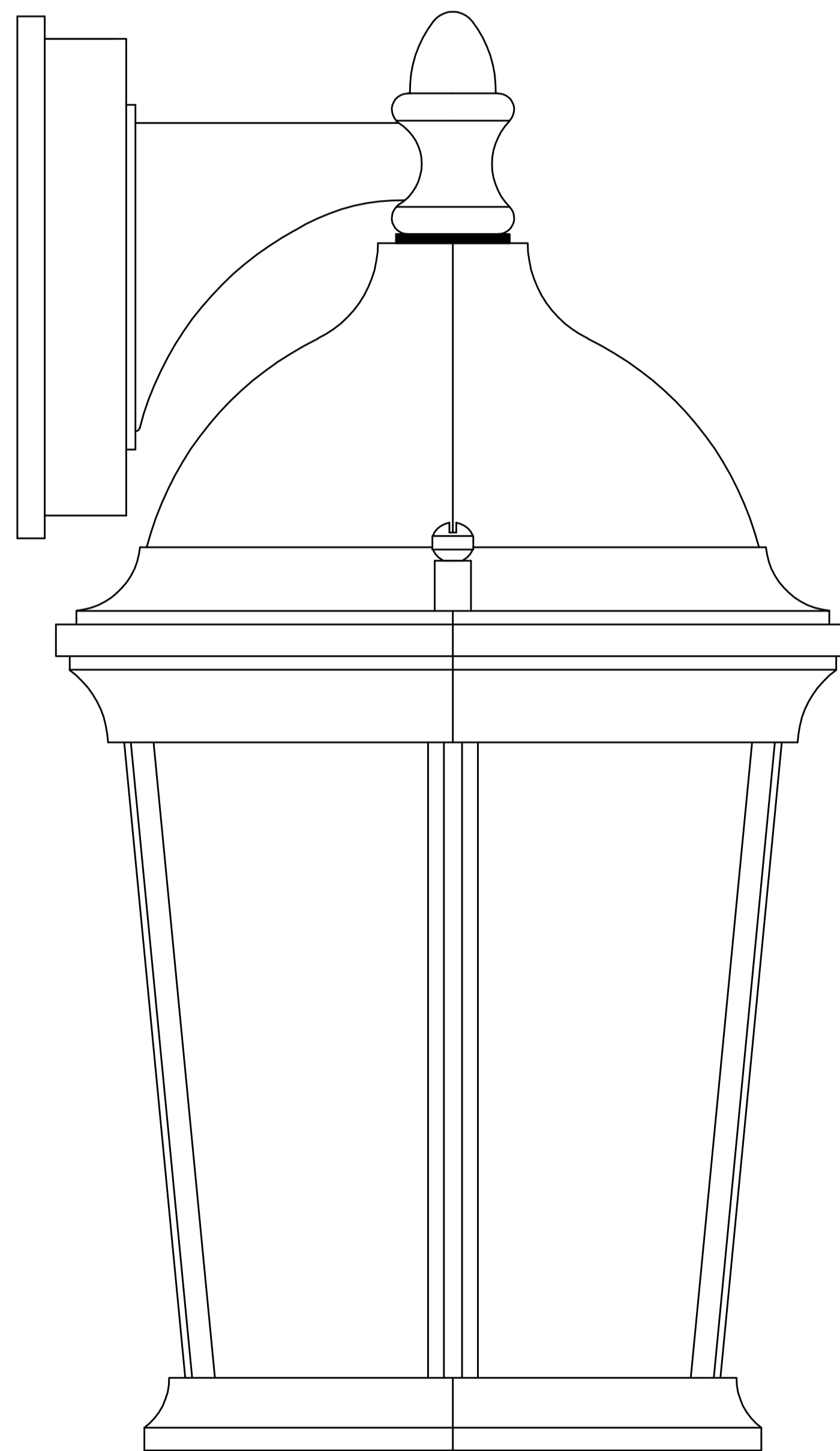




PRODUCT NAME: Side Door
ITEM NUMBER: 56024

Please consult your electrician for hanging fixture and wiring.



To prevent water intrusion, caulk around back-plate where fixture meets the wall using outdoor silicone sealant. Leave a small gap at the bottom to allow moisture to exit.

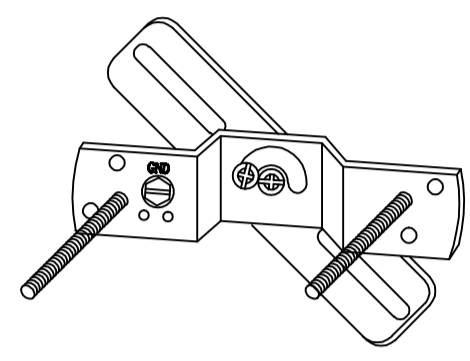
Bulb(included): 1×9W GU24 LED

MADE IN CHINA

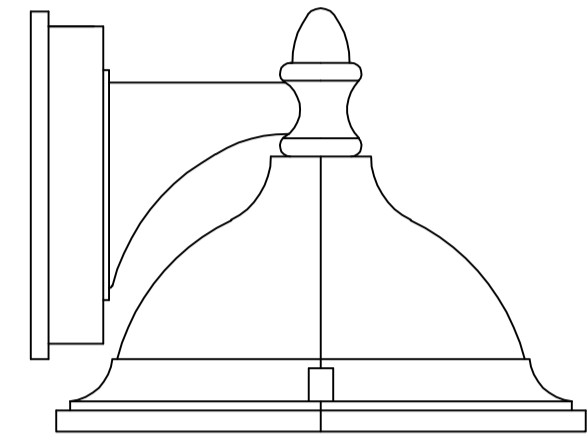


PRODUCT NAME: Side Door
 ITEM NUMBER: 56024

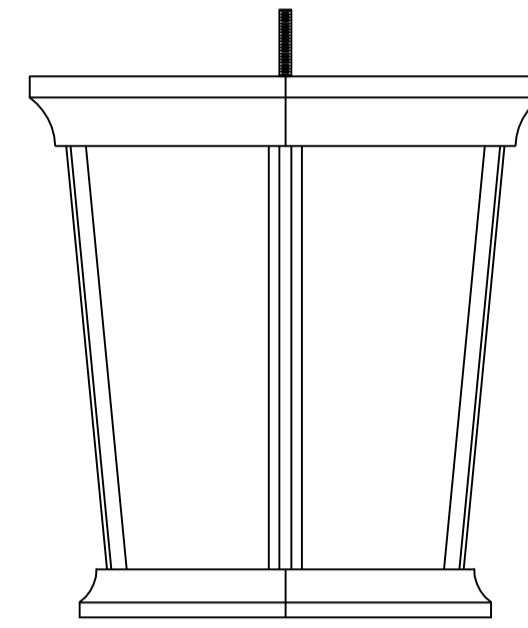
IMPORTANT: Turn off the power at the main fuse or circuit breaker box before starting installation.



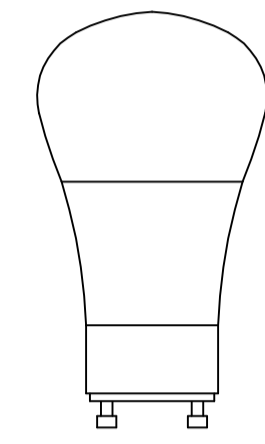
Bracket (A)



Fixture (B)



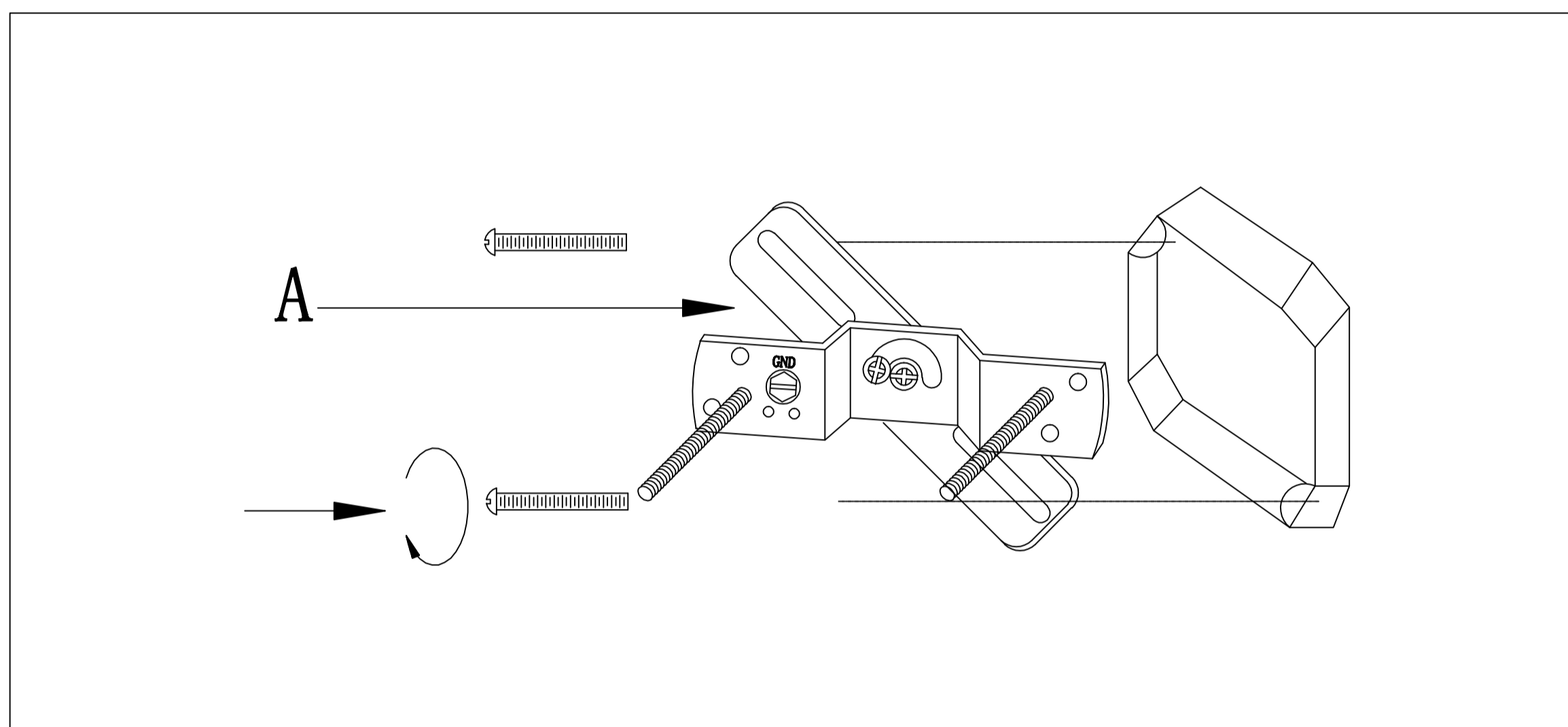
Cage (C)



GU24 LED Bulb (D)

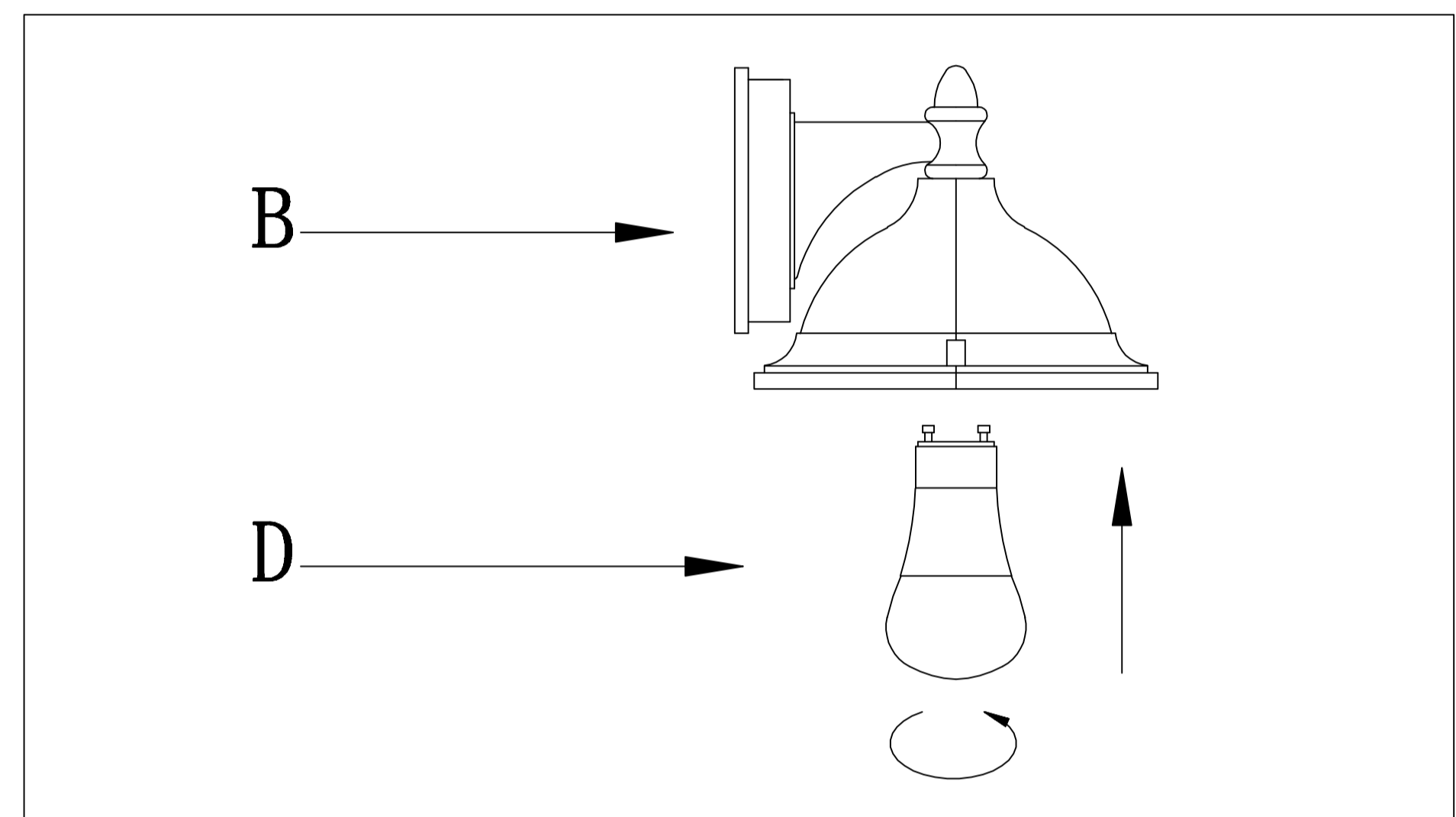
Locate all hardware & components before discarding packaging

1.)



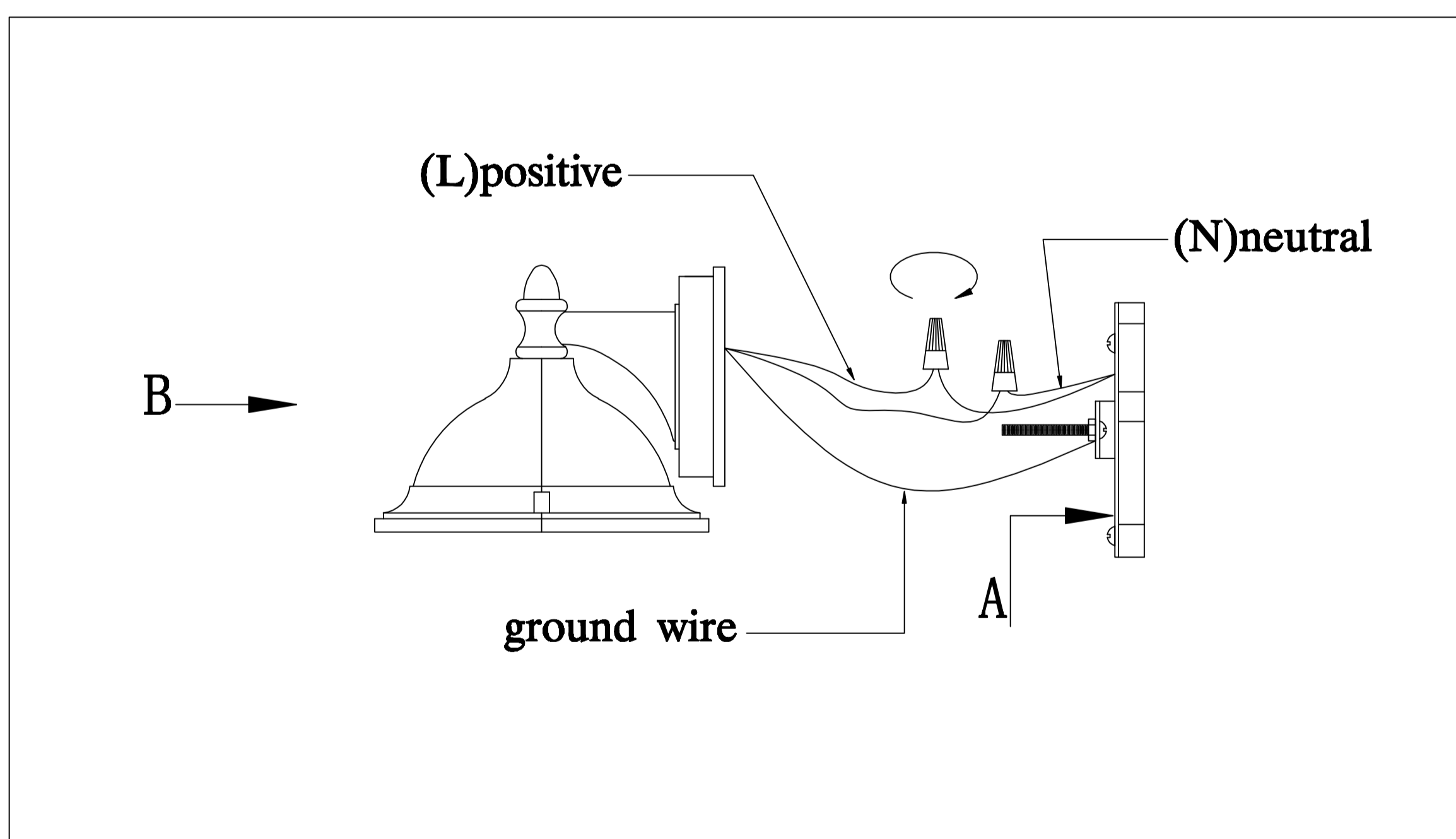
Step.1: Remove mounting bracket from fixture(B) and install to electrical box. then wire fixture to wires in outlet box. Copper wire is for Ground.

3.)



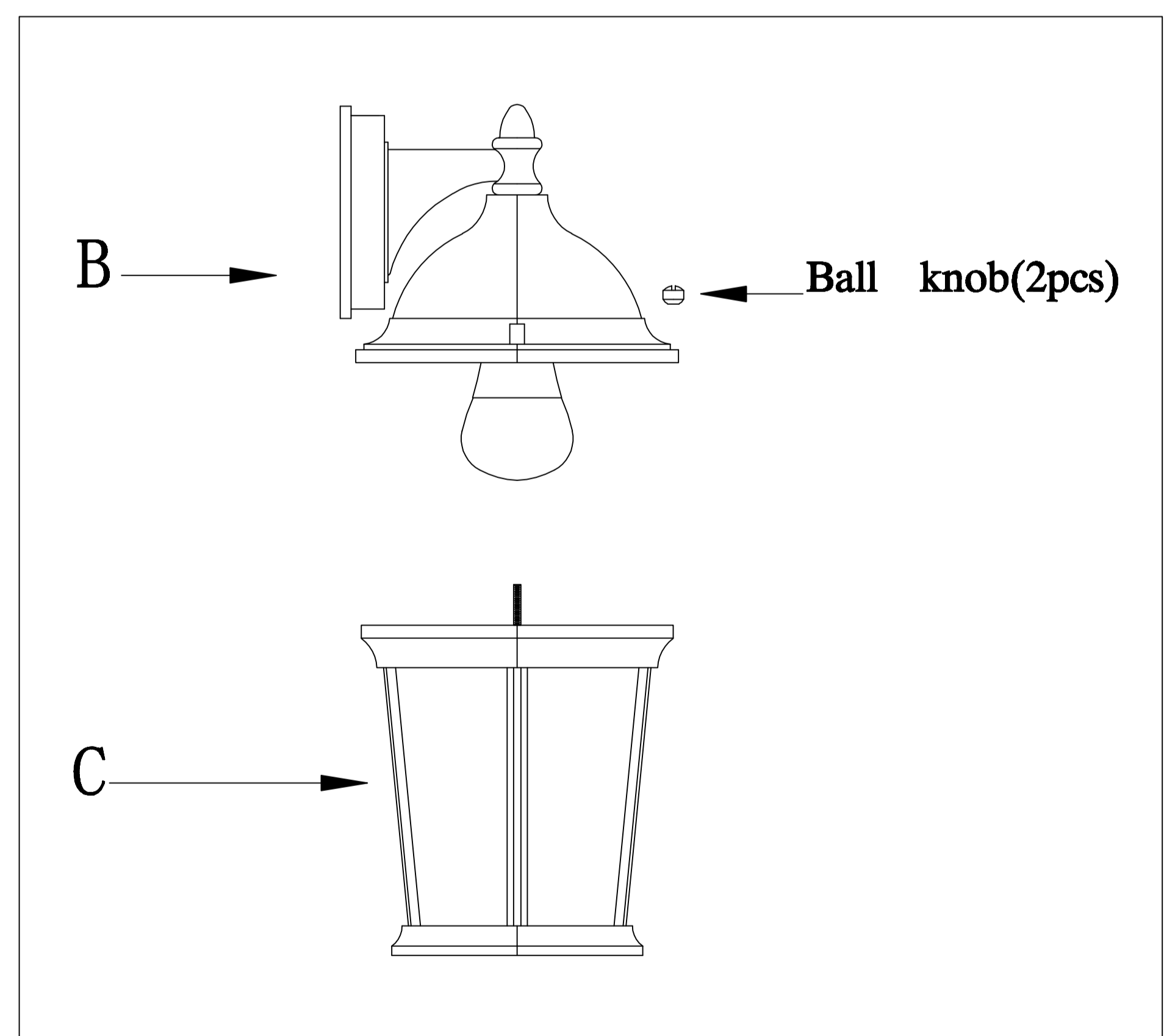
Step.3: Install GU24 LED bulb(D)

2.)



Step.2: Attach back plate to mounting bracket and tighten ball nuts so fixture meets wall. Caulk fixture where back plate meets the wall with silicone sealant.

4.)



Step.4: Attach cage(C) to fixture , using ball knobs .

Cleaning & Care:

Clean with soft cloth and a mild detergent.
 Do not use abrasive cleaner.

MADE IN CHINA